

3. DATACOMM



CAT 12-21-32-64

Part #/Description	A mm	Ø mm		Weight kg
--------------------	------	------	--	-----------

CORROSION PROTECTION - **1**

CAT12		19	50	0.027
CAT21		33	80	0.069
CAT32		50	60	0.077
CAT64		100	25	0.229



V-CAT

Part #	Description	Ø mm		Weight kg
--------	-------------	------	--	-----------

CORROSION PROTECTION - **1**

181930	CAT600R		2	0.34
--------	---------	--	---	------



CAT 425

Part #/Description	A mm	Ø mm		Weight kg
--------------------	------	------	--	-----------

CORROSION PROTECTION - **1**

CAT425	100/150	10		0.223
--------	---------	----	--	-------



CAT PULLEY

Part #	Description	A mm	Ø mm		Weight kg
--------	-------------	------	------	--	-----------

CORROSION PROTECTION - **1**

182300	CADDY CAT TRAX KIT	M10	1	5.0
182310	TRANSITION PIECE	M10	5	0.8



CADDY® CAT TRAX

Part #	Description	Ø mm		Weight kg
--------	-------------	------	--	-----------

CORROSION PROTECTION - **1**

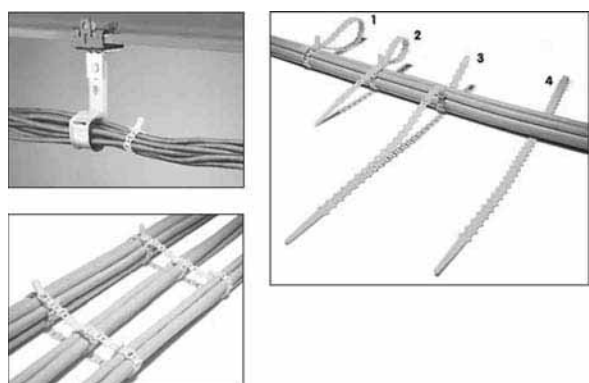
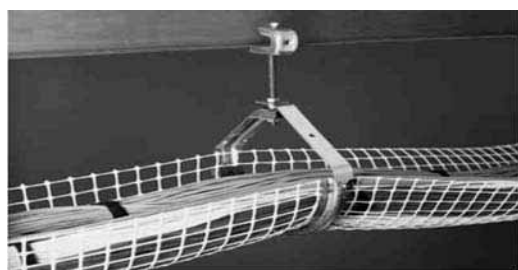
182280	CAT32PLR	50	10	0.23
N/A	CAT64PLR	100	2	0.30



MILLE-TIE™

Part #	Description	Ø mm		Weight kg
--------	-------------	------	--	-----------

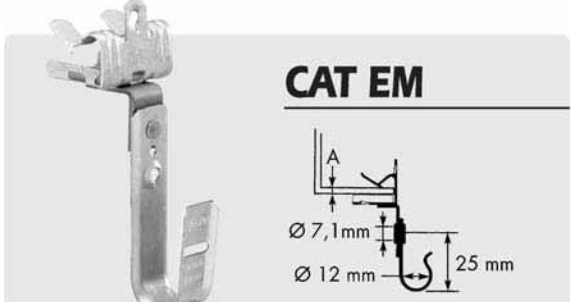
CATMTLS	MILLE-TIE	N/A	100	0.003
---------	-----------	-----	-----	-------



Mille-Tie is a trademark of Millepede International Ltd.



3. DATA COMM



Part #/Description	A mm	Ø mm		Weight kg
--------------------	------	------	--	-----------

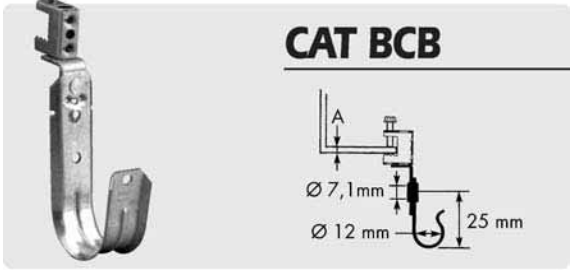
Part #/Description	A mm	Ø mm		Weight kg
--------------------	------	------	--	-----------

CORROSION PROTECTION - **1**

CORROSION PROTECTION - **1**

CAT1224SM	19	3-8	50	0.037
CAT1258SM	19	8-14	50	0.039
CAT12912SM	19	14-20	50	0.043
CAT2124SM	33	3-8	80	0.080
CAT2158SM	33	8-14	80	0.083
CAT21912SM	33	14-20	80	0.084
CAT3224SM	50	3-8	60	0.084
CAT3258SM	50	8-14	60	0.086
CAT32912SM	50	14-20	60	0.089
CAT42524SM	100/150	3-8	10	0.30
CAT42558SM	100/150	8-14	10	0.38
CAT425912SM	100/150	14-20	10	0.41
CAT6424SM	100	3-8	25	0.236
CAT6458SM	100	8-14	25	0.238
CAT64912SM	100	14-20	25	0.241

CAT1224	19	3-8	50	0.052
CAT1258	19	8-14	50	0.055
CAT12912	19	14-20	50	0.059
CAT2124	33	3-8	80	0.091
CAT2158	33	8-14	80	0.094
CAT21912	33	14-20	80	0.097
CAT3224	50	3-8	60	0.097
CAT3258	50	8-14	60	0.099
CAT32912	50	14-20	60	0.107
CAT6424	100	3-8	25	0.249
CAT6458	100	8-14	25	0.251
CAT64912	100	14-20	25	0.259



Part #/Description	A mm	Ø mm		Weight kg
--------------------	------	------	--	-----------

Part #/Description	A mm	Ø mm		Weight kg
--------------------	------	------	--	-----------

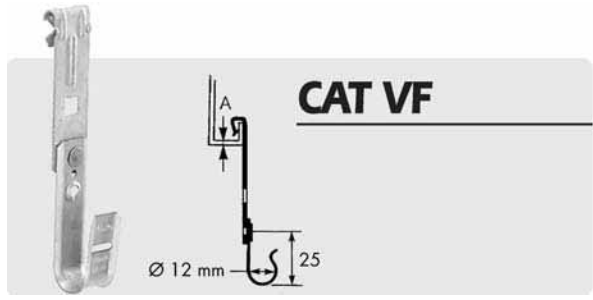
CORROSION PROTECTION - **1**

CORROSION PROTECTION - **1**

CAT12BC	<=16M	19	50	0.045
CAT21BC	<=16M	33	80	0.089
CAT32BC	<=16M	50	60	0.097
CAT425BC	<=16M	100/150	10	0.440
CAT64BC	<=16M	100	25	0.249

CAT12BCB	<=16M	19	50	0.050
CAT21BCB	<=16M	33	80	0.092
CAT32BCB	<=16M	50	60	0.100
CAT64BCB	<=16M	100	25	0.251

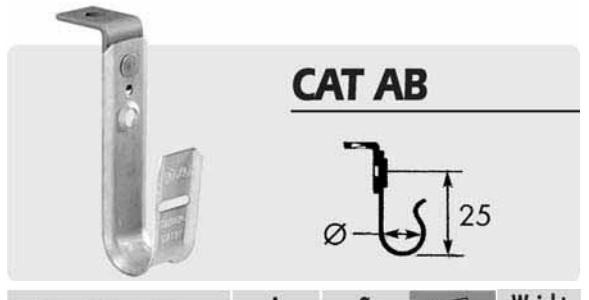
3. DATACOMM



Part #/Description	A mm	Ø mm		Weight kg
--------------------	------	------	--	-----------

CORROSION PROTECTION - **1**

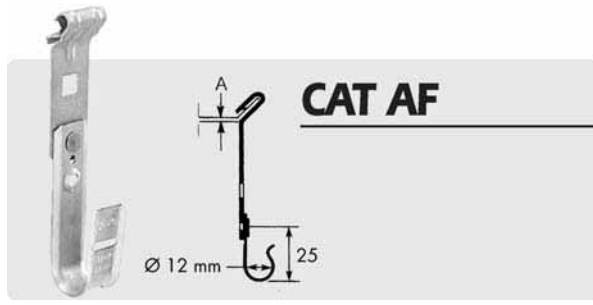
CAT12VF14	1.5-6	19	50	0.033
CAT21VF14	1.5-6	33	80	0.069
CAT32VF14	1.5-6	50	60	0.077
CAT425VF14	1.5-6	100/150	10	0.280
CAT64VF14	1.5-6	100	25	0.229



Part #/Description	A mm	Ø mm		Weight kg
--------------------	------	------	--	-----------

CORROSION PROTECTION - **1**

CAT12AB	7	19	50	0.047
CAT21AB	7	33	80	0.086
CAT32AFAB4	7	50	60	0.097
CAT32AFAB6	11	50	60	0.097
CAT425AB	7	100/150	10	0.270
CAT64AB	7	100	25	0.230



Part #/Description	A mm	Ø mm		Weight kg
--------------------	------	------	--	-----------

CORROSION PROTECTION - **1**

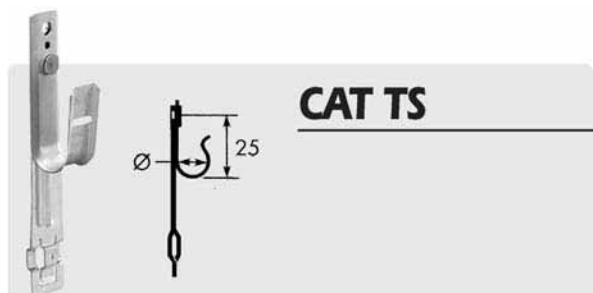
CAT12AF14	1.5-6	19	50	0.033
CAT21AF14	1.5-6	33	80	0.069
CAT32AF14	1.5-6	50	60	0.077
CAT425AF14	1.5-6	100/150	10	0.280
CAT64AF14	1.5-6	100	25	0.220



Part #/Description	A mm	Ø mm		Weight kg
--------------------	------	------	--	-----------

CORROSION PROTECTION - **1**

CAT124Z34	M4-M8	19	50	0.029
CAT126Z34	M8-M12	19	50	0.029
CAT214Z34	M4-M8	33	80	0.074
CAT216Z34	M8-M12	33	80	0.074
CAT324Z34	M4-M8	50	60	0.091
CAT326Z34	M8-M12	50	60	0.091



Part #/Description	A mm	Ø mm		Weight kg
--------------------	------	------	--	-----------

CORROSION PROTECTION - **1**

CAT12TS	19	50	0.075
---------	----	----	-------



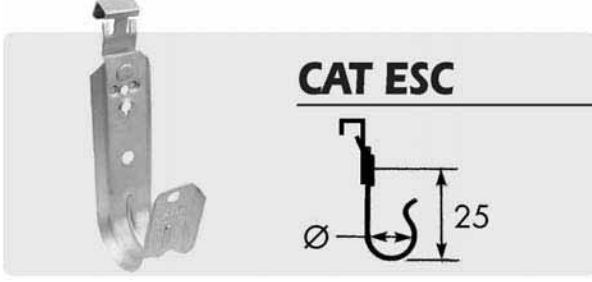
Part #/Description	A mm	Ø mm		Weight kg
--------------------	------	------	--	-----------

CORROSION PROTECTION - **1**

CAT12CD1B	19-25	19	50	0.056
CAT21CD1B	19-25	33	80	0.096
CAT32CD1B	19-25	32	60	0.104
CAT425CD1B	19-25	100/150	10	0.280
CAT64CD1B	19-25	100	25	0.240



3. DATACOMM



CAT ESC

Part #/Description	A mm	Ø mm		Weight kg
--------------------	------	------	--	-----------

CORROSION PROTECTION - **1**

CAT12ESC		19	50	0.036
CAT21ESC		33	80	0.074
CAT32ESC		50	60	0.082

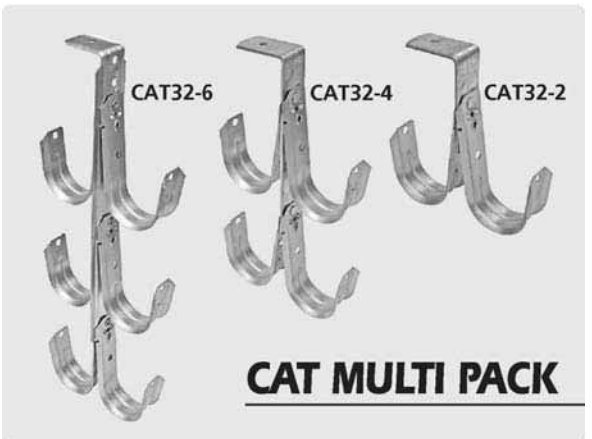


CAT 2-PACK EBC

Part #/Description	A mm	Ø mm		Weight kg
--------------------	------	------	--	-----------

CORROSION PROTECTION - **1**

CAT322BC	<=16M	2 X 50	10	0.279
----------	-------	--------	----	-------



CAT MULTI PACK

Part #/Description	A mm	Ø mm		Weight kg
--------------------	------	------	--	-----------

CORROSION PROTECTION - **1**

CAT32-2	7	2 X 50	10	0.256
CAT32-4	7	4 X 50	10	0.484
CAT 32-6	7	6 X 50	10	0.633



CAT 2-PACK VF

Part #/Description	A mm	Ø mm		Weight kg
--------------------	------	------	--	-----------

CORROSION PROTECTION - **1**

CAT322VF14	1.5-6	2 X 50	10	.0276
------------	-------	--------	----	-------



CAT 2-PACK AF

Part #/Description	A mm	Ø mm		Weight kg
--------------------	------	------	--	-----------

CORROSION PROTECTION - **1**

CAT322AF14	1.5-6	2 X 50	10	0.276
------------	-------	--------	----	-------



CAT 2-PACK EM

Part #/Description	A mm	Ø mm		Weight kg
--------------------	------	------	--	-----------


CORROSION PROTECTION - **1**

CAT32224	3-8	2 X 50	10	0.270
CAT32258	8-14	2 X 50	10	0.270
CAT322912	14-20	2 X 50	10	0.272

3. DATACOMM



CAT 4-PACK EM

Part #/Description	A mm	Ø mm		Weight kg
--------------------	------	------	---	-----------

CORROSION PROTECTION - **1**

CAT32424	3-8	4 X 50	10	0.496
CAT32458	8-14	4 X 50	10	0.498
CAT324912	14-20	4 X 50	10	0.500



CAT 4-PACK AF

Part #/Description	A mm	Ø mm		Weight kg
--------------------	------	------	---	-----------

CORROSION PROTECTION - **1**

CAT324AF14	1.5-6	4 X 50	10	0.504
------------	-------	--------	----	-------



CAT 4-PACK EBC

Part #/Description	A mm	Ø mm		Weight kg
--------------------	------	------	---	-----------

CORROSION PROTECTION - **1**

CAT324BC	<=16M	4 X 50	10	0.507
----------	-------	--------	----	-------



CAT 4-PACK VF

Part #/Description	A mm	Ø mm		Weight kg
--------------------	------	------	---	-----------

CORROSION PROTECTION - **1**

CAT324VF14	1.5-6	4 X 50	10	0.504
------------	-------	--------	----	-------