

5. OTHER



CA ANCHORS

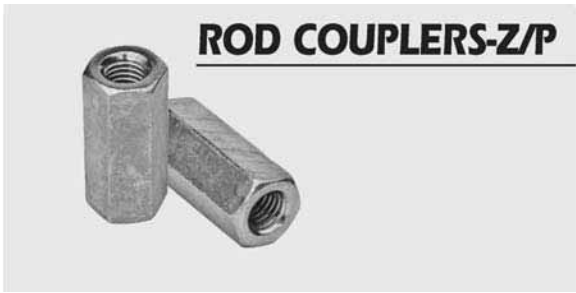


Part #	Description	M mm		Weight kg
--------	-------------	------	--	-----------

CORROSION PROTECTION - **1**

593180	CA6 8 X 25	M6	100	0.008
593190	CA8 10 X 30	M8	100	0.012
593200	CA10 12 X 30	M10	50	0.016
593205	CA12 15 X 50	M12	50	0.048

ROD COUPLERS-Z/P



Part #/Description	M mm	Ø mm		Weight kg
--------------------	------	------	--	-----------

CORROSION PROTECTION - **1**

COU-M8-ZP	M8		10	0.050
COU-M10-ZP	M10		10	0.070
COU-M12-ZP	M12		10	0.076
COU-M16-ZP	M16		10	0.080
COU-M20-ZP	M20		10	0.100

STRIKE ANCHORS



Part #	Description	M		Weight kg
--------	-------------	---	--	-----------

CORROSION PROTECTION - **1**

ESA0850	M8 STRIKE ANCHOR	M8	60	0.023
ESA1050	M10 STRIKE ANCHOR	M10	40	0.035

HEX NUTS-Z/P

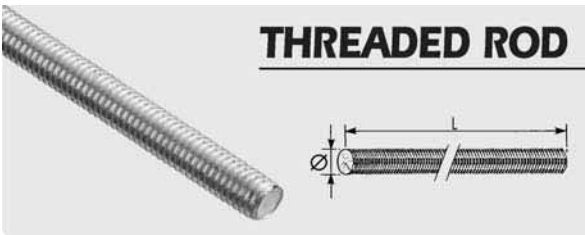


Part #/Description	M mm	Ø mm		Weight kg
--------------------	------	------	--	-----------

CORROSION PROTECTION - **1**

HEX-M6-ZP	M6		100	0.002
HEX-M8-ZP	M8		100	0.005
HEX-M10-ZP	M10		100	0.009
HEX-M12-ZP	M12		100	0.014
HEX-M16-ZP	M16		100	0.030
HEX-M20-ZP	M20		100	0.064

THREADED ROD

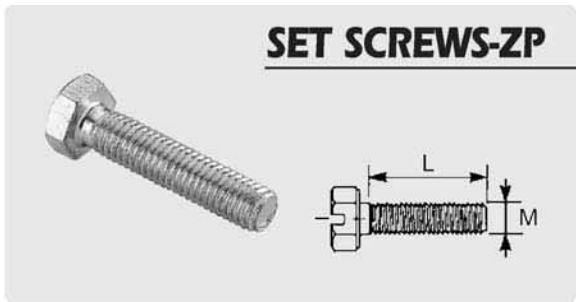


Part #/Description	A mm	Ø mm		Weight kg
--------------------	------	------	--	-----------

CORROSION PROTECTION - **4**

ROD-M6X3-ZP	M6	3	10	0.54
ROD-M8X3-ZP	M8	3	10	0.89
ROD-M10X3-ZP	M10	3	10	1.42
ROD-M12X3-ZP	M12	3	10	2.05
ROD-M16X3-ZP	M16	3	10	3.95
ROD-M20X3-ZP	M20	3	10	4.00

5. OTHER



SET SCREWS-ZP


Part #	Description		Weight kg
--------	-------------	---	-----------

CORROSION PROTECTION - **1**

SET-M625-ZP	M6 x 25	100	0.007
SET-M820-ZP	M8 x 20	100	0.012
SET-M825-ZP	M8 x 25	100	0.013
SET-M830-ZP	M8 x 30	100	0.016
SET-M840-ZP	M8 x 40	100	0.018
SET-M1020-ZP	M10 x 20	100	0.020
SET-M1030-ZP	M10 x 30	100	0.024
SET-M1040-ZP	M10 x 40	100	0.029



FLAT WASHERS

Part #/Description	A mm	Ø mm		Weight kg
--------------------	------	------	---	-----------

CORROSION PROTECTION - **1**

WAS-M6-ZP	M6		100	0.001
WAS-M8-ZP	M8		100	0.002
WAS-M10-ZP	M10		100	0.004
WAS-M12-ZP	M12		100	0.008
WAS-M16-ZP	M16		100	0.005
WAS-M20-ZP	M20		100	0.012

