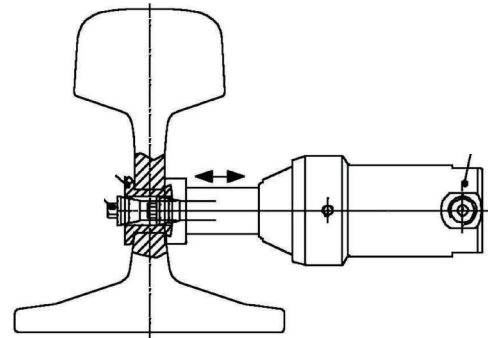
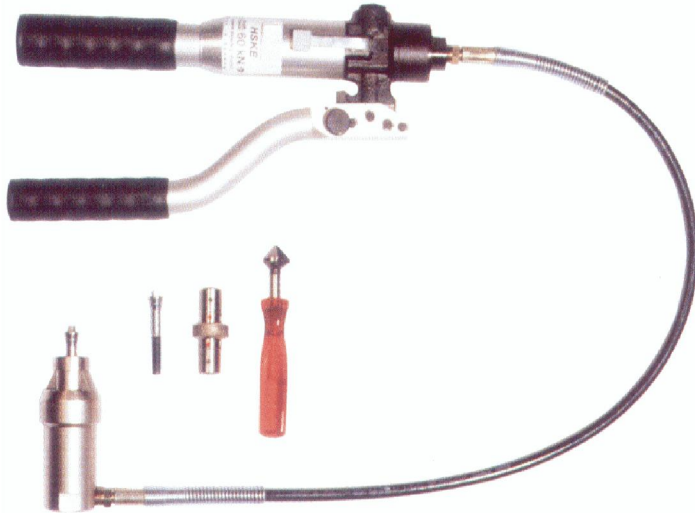


RAIL INSERTION TOOL

HSKE Rail Contact Insertion Tool



The HSKE comes complete with:

- Mandrels for 19 & 22mm contacts
- Countersink tool
- Test gauge
- Metal case
- HSKE pump connected with a high pressure hydraulic hose to the PSKE unit

*** Now also available is a Battery Insertion tool ***

ACCESSORIES FOR 8MM CONTACTS



715216 8mm Mandrill for SK/8



715218 8mm Mandrill Adaptor

***PTC APPROVAL NO: TIC001-2004**

ARTC APPROVAL No: 08-08-10-051