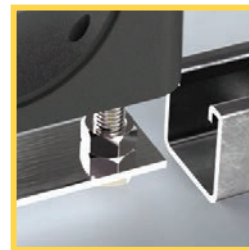
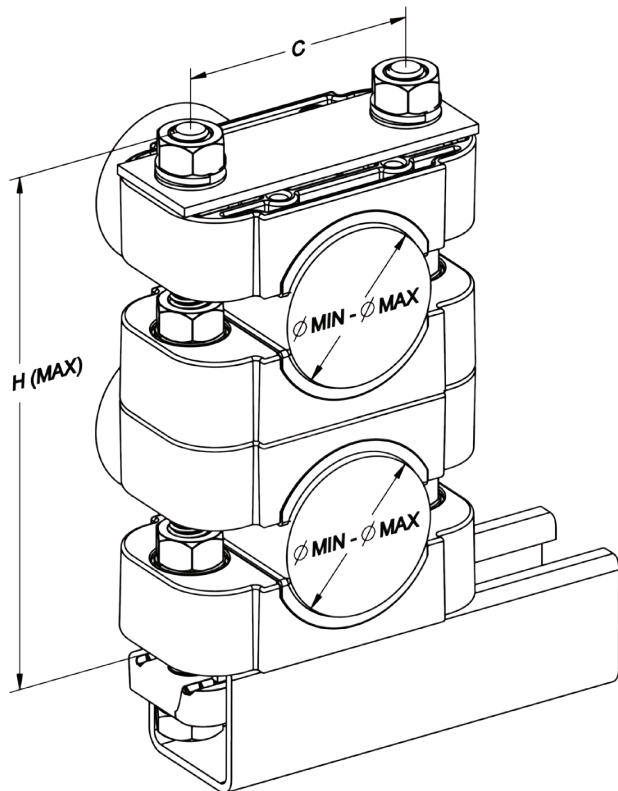


PRODUCT SELECTION GUIDE

DOUBLE STACKED CLAMPS

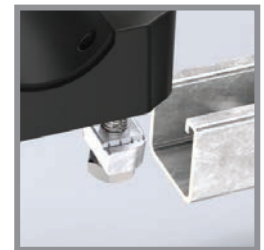
TE Part No	TAPPAT Part No	Min Cable Ø	Max Cable Ø	Bolt Hole Ctrs C	Installed Height H - Max	Bolt Ø	Type
CC38-50-PL-M12-DOUB		38	50	75	170	M12	Slider Plate
CC38-50-SN-M12-DOUB		38	50	75	170	M12	Strut Nut
CC50-60-PL-M12-DOUB		50	60	100	215	M12	Slider Plate
CC50-60-SN-M12-DOUB		50	60	100	215	M12	Strut Nut
CC60-70-PL-M12-DOUB		60	70	114	250	M12	Slider Plate
CC60-70-SN-M12-DOUB		60	70	114	250	M12	Strut Nut
CC68-81-PL-M12-DOUB	TAP10909C	68	81	114	250	M12	Slider Plate
CC68-81-SN-M12-DOUB	TAP10909D	68	81	114	250	M12	Strut Nut
CC80-92-PL-M12-DOUB		80	92	142	295	M12	Slider Plate
CC80-92-SN-M12-DOUB		80	92	142	295	M12	Strut Nut
CC92-106-PL-M12-DOUB		92	106	142	295	M12	Slider Plate
CC92-106-SN-M12-DOUB		92	106	142	295	M12	Strut Nut

All cable clamps are also available without hardware, please contact TE for more information



Slider Plate Version

Used where access to the end of the mounting rail is achievable



Strut Nut Version

Used where access to the end of the mounting rail is not possible