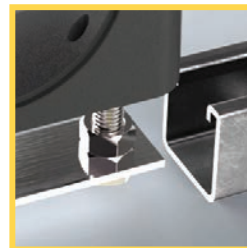
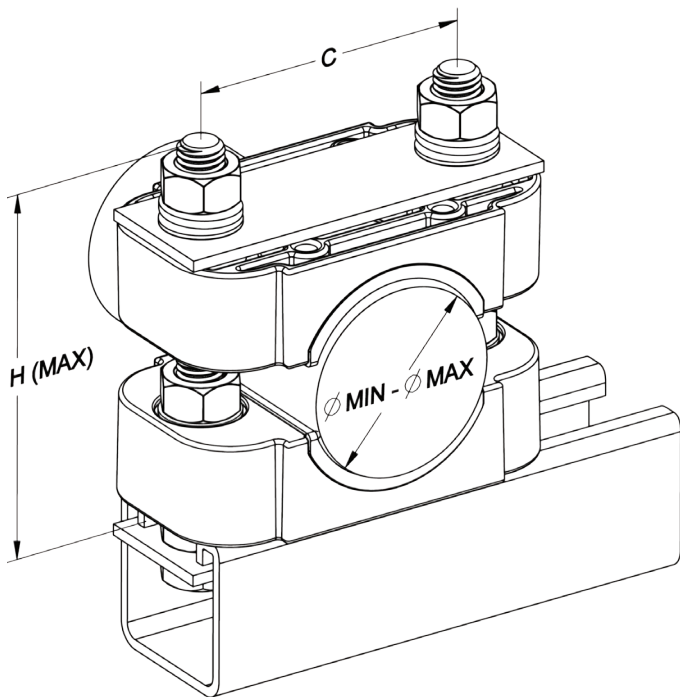


# PRODUCT SELECTION GUIDE

## SINGLE LEVEL CLAMPS

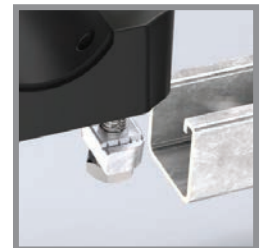
TE Part No	TAPPAT Part No	Min Cable Ø	Max Cable Ø	Bolt Hole Ctrs C	Installed Height H - Max	Bolt Ø	Type
CC26-38-SN-M10	TAP10908	26	38	60	75	M10	Strut Nut
CC26-38-SN-M12		26	38	60	75	M12	Strut Nut
CC38-50-PL-M12		38	50	75	100	M12	Slider Plate
CC38-50-SN-M12		38	50	75	100	M12	Strut Nut
CC50-60-PL-M10	TAP10907	50	60	100	116	M10	Slider Plate
CC50-60-PL-M12		50	60	100	116	M12	Slider Plate
CC50-60-SN-M10	TAP10907A	50	60	100	130	M10	Strut Nut
CC50-60-SN-M12		50	60	100	130	M12	Strut Nut
CC60-70-PL-M12		60	70	114	130	M12	Slider Plate
CC60-70-SN-M12		60	70	114	130	M12	Strut Nut
CC68-81-PL-M12	TAP10909	68	81	114	130	M12	Slider Plate
CC68-81-SN-M12	TAP10909B	68	81	114	155	M12	Strut Nut
CC80-92-PL-M12		80	92	142	155	M12	Slider Plate
CC80-92-SN-M12		80	92	142	155	M12	Strut Nut
CC92-106-PL-M12		92	106	142	155	M12	Slider Plate
CC92-106-SN-M12		92	106	142	155	M12	Strut Nut

All cable clamps are also available without hardware, please contact TE for more information



**Slider Plate Version**

Used where access to the end of the mounting rail is achievable



**Strut Nut Version**

Used where access to the end of the mounting rail is not possible