

CONTENTS



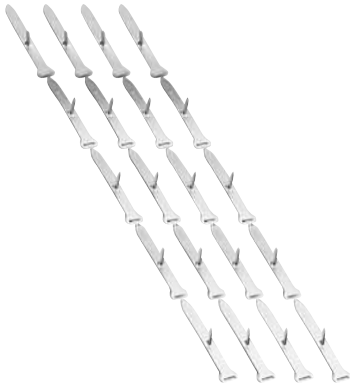
CABLE MANAGEMENT

SECTION 9

SECTION 9	CABLE MANAGEMENT AND ASSOCIATED PRODUCTS	.91
	PIN CLIPS H335B SERIES	.92
	COPPER EARTH RODS	.92
	EARTH CLIPS	.92
	EARTHING STRAPS	.92
	CABLE HOLDERS	.93
	CONDUIT BENDERS	.94
	BATTERY BOOSTER, ALLIGATOR AND TEST CLIPS	.95
	BATTERY BOOSTER CLIPS	.95
	ALLIGATOR CLIPS	.95
	TEST CLIPS	.95
	ALLIGATOR AND TEST CLIP INSULATORS	.95
	STAINLESS STEEL BAND CLAMP & BUCKLES	.96
	SHEATHED BAND CLAMP	.96
	#46 BAND CLAMP TOOL	.96
	NYLON BAND CLAMP	.97
	#117 NYLON BAND FITTING TOOL	.97
	UTI-TIES	.98
	UTI-TIE INSTALLATION TOOL #101	.99
	UTI-TIE INSTALLATION TOOL #TGO9	.99
	UTI-TIE INSTALLATION TOOL #69	.99
	STAINLESS STEEL CABLE TIE TENSIONER #116	.91
	NYLON HOSE	.100

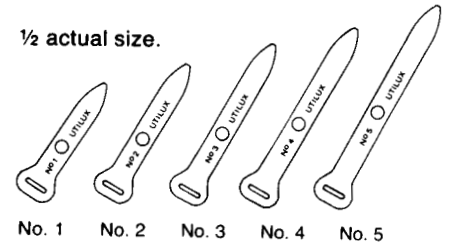
CATALOGUE INDEX

INDEX



PIN CLIPS

- Manufactured from soft brass, natural finish
- No sharp edges
- Has 12.6mm hardened nail fixed in the pin clip and recessed
- Strips of six for convenient application
- Pin clips are clearly branded and marked with the size number for identification
- H335D brass electro tinned with brass electro tinned pin for use in equatorial areas and marine applications



CAT. NO.		MATERIAL	SIZE	LENGTH mm
PLAIN	PLATED			
H335B#1	H335D#1	Brass with hardened nail	1	38
H335B#2	H335D#2	Brass with hardened nail	2	44
H335B#3	H335D#3	Brass with hardened nail	3	51
H335B#4	H335D#4	Brass with hardened nail	4	57
H335B#5	-	Brass with hardened nail	5	64



COPPER EARTH RODS

CAT. NO.	DESCRIPTION	ROD NOMINAL DIA mm	LENGTH m
CUP1314WC	Domestic – pointed, with clip	13	1.4
CUP1318WC	Domestic – pointed, with clip	13	1.8



EARTH CLIPS

CAT. NO.	MATERIAL	TO SUIT EARTHROD DIA. SIZE mm
H303A#1	Brass	13
H303A#2	Brass	16
H303A#3	Brass	19
H303A#4	Brass	25

EARTHING STRAPS



CAT. NO.	MATERIAL	LENGTH mm
H803A	Brass	101

CABLE HOLDERS

FUNCTION: For securing electrical cable from a diameter of 30mm up to 100mm, to a power pole or beam.

DESIGN FEATURES: The design of the cable holder allows for a variety of sizes of cable, due to the variable adjustment and locking points.

The unique design features of the cable holder are the:

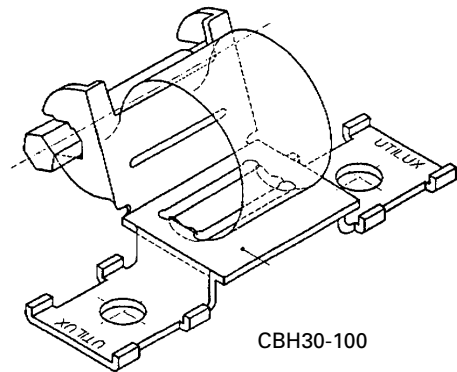
- Dual support legs which allow for dual fixing to a pole
- Optional fixing methods, either using a bolt or bandclamp strapping

MATERIAL: The clamp body is made from mild steel, which has been blanked and formed, then hot-dip galvanised.

- The strap is made from 304 grade stainless steel.
- The pin is zinc diecast.

MARKETS: The clamp has applications in power authorities, mining, railways, building and construction.

ADDITIONAL INFORMATION: A variation to this product is a vertical version, where the fixing points run parallel to the stainless steel strap.



CAT NO.	CABLE	DESCRIPTION
CBH30-100	30-100mm dia	Pole mounted clamp - Horizontal
CBH30-100V	30-100mm dia	Pole mounted clamp - Vertical

CONDUIT BENDERS

The range of Utilux conduit benders are designed for controlled bending of steel conduit and copper pipe without crushing or local deformation occurring.

There are two sizes of bender available, 16mm – 20mm and 25mm. Each bender is made up from two parts, a high strength aluminium head and a galvanised steel handle.



PART NO.	CONDUIT SIZE	DESCRIPTION
AC2071	16-20mm	Head
AC2071H	16-20mm	Handle
AC2081	25mm	Head
AC2071H	25mm	Handle



BATTERY BOOSTER, ALLIGATOR AND TEST CLIPS

BATTERY BOOSTER CLIPS



- All battery clips supplied in equal quantities of positive and negative
 - All clips supplied with handles
 - H811 has a copper shunt between handles
- All clips supplied with copper cable lug, screw and nut

CAT NO.	MATERIAL	MAX. AMPS	JAW OPENING mm
H811	2mm Copper Bronze	200	38
H812	2mm Steel Zinc plated	100	38

ALLIGATOR CLIPS



Utilux Battery Charging Clips have a high standard zinc chromate finish suitable for constant potential or series charging

- All clips feature pan head screw to ensure perfect contact

CAT NO.	DESCRIPTION
H141	Nickel Plated brass 5 amp clip
H2790	Nickel Plated brass 5 amp clip with barrel

TEST CLIPS



CAT NO.	DESCRIPTION
H143	25 amp zinc plated steel test clip
H144	50 amp zinc plated steel test clip
H145	10 amp zinc plated steel test clip
H170	15 amp zinc plated steel test clip

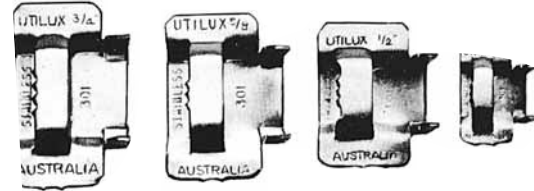
ALLIGATOR AND TEST CLIP INSULATORS



INSULATOR FOR	PACKET OF 6 RED & 6 BLACK	PACKET OF 12 RED	PACKET OF 12 BLACK
H170	H2082		
H143		H2083RD	H2083BK
H144	H2084	H2084RD	H2084BK
H2790	H2796	H2796RD	H2796BK

STAINLESS STEEL BAND CLAMP & BUCKLES

- Versatile • Durable • Ease of handling • Low cost
- BAND AND BUCKLES: • stainless steel minimising corrosion • width: 10, 12, 16, 19mm
- supplied in dispensers of 30m • available in matt finish



BAND CLAMP – MATT CAT. NO.	WIDTH mm	BUCKLES	TOOLING
H3013M-30	9.5	H3001	#46
H3016M-30	12	H3004	
H3019M-30	16	H3007	
H3022M-30	19	H3010	



SHEATHED BAND CLAMP

- 316 grade stainless steel band clamp
- Coated with halogen free, fire retardant, low smoke compound
 - High strength corrosion resistant strapping
- Ideal for applications where safe evacuation, due to a fire could become hazardous

CAT. NO.	WIDTH mm	THICKNESS mm	COATING mm	BUCKLE	TOOLING
H82400-20	12.7	0.95	0.4	H82401	#115

#46 BAND CLAMP TOOL

- Manufactured from high tensile steel
- Machine threaded tension screw
- One tool for all band widths



NYLON BAND CLAMP

- Flexible banding system for securing objects of any size
- Made from Nylon 6.6, impervious to atmospheric corrosion and resistant to most solvents and chemicals
 - Cut to any length – reduces inventory and ensures you always have the correct size at hand
- Moulds to the contours of the product for secure grip • Temperature range of -40°C to +150°C
 - Available in customer specific colours (min quantity applies)
- Merchandise pack of band & buckles available for 4mm & 7mm
 - Bulk packs of band & buckles available (min quantity applies)



SIZE	TENSILE STRENGTH	BAND		RELEASABLE BUCKLES		PERMANENT BUCKLES	
		P/N	PACK SIZE	P/N	PACK SIZE	P/N	PACK SIZE
4	250Nts	NBC4	25m	-	-	PB4	200
7	500Nts	NBC7	20m	RB7	50, 200	PB7	100
10	1750Nts	NBC10	15m, 80m	RB10	40, 200	-	-

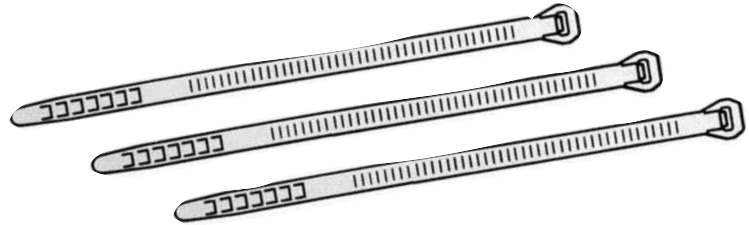
#117 NYLON BAND FITTING TOOL

- Single handed operation • Can be used whilst wearing gloves
 - Designed for use at any angle • Designed for band teeth to strip if excessive pressure applies
- LENGTH: 270mm • WEIGHT: 500gms



UTI-TIES

- Durable
- Available in natural finish or weather resistant black
- Smooth edges to avoid cuts
- Tapered tip for ease of use
- Self locking system resists slippage



STANDARD NYLON TIES

NATURAL DESCRIPT.	CAT NO.	WEATHER RESISTANT DESCRIPT.	CAT NO.	LENGTH (mm)	WIDTH (mm)	MAX BUNDLE DIA (mm)	TENSILE STRENGTH (KG)	PACK QTY
CT802	H31800	CT802W	H31820	80	2.5	12	8	100/1000
CT1002	H31801	CT1002W	H31821	102	2.5	16	8	100/1000
CT1503	H31802	CT1503W	H31822	150	3.6	32	13	100/1000
CT2004	H31803	CT2004W	H31823	200	4.8	44	22	100/1000
CT3004	H31804	CT3004W	H31824	300	4.8	76	22	100/1000
CT3704	H31806	CT3704W	H31826	370	4.8	102	22	100/1000

HEAVY DUTY NYLON TIES

NATURAL DESCRIPT.	WEATHER RESISTANT DESCRIPT.	LENGTH (mm)	WIDTH (mm)	MAX BUNDLE DIA (mm)	TENSILE STRENGTH (KG)	PACK QTY
CT3807	CT3807W	380	7.6	102	54	100/1000
	CT5507W	550	7.6	160	54	100/1000

EXTRA HEAVY DUTY NYLON TIES

DESCRIPT.	LENGTH (mm)	WIDTH (mm)	MAX BUNDLE DIA (mm)	TENSILE STRENGTH (KG)	PACK QTY
CT55012W	550	12.7	160	110	100

STAINLESS STEEL CABLE TIES

DESCRIPT.	LENGTH (mm)	WIDTH (mm)	MAX BUNDLE DIA (mm)	TENSILE STRENGTH (KG)	PACK QTY
CT2004SS	200	4.6	50	44	10/100
CT3604SS	360	4.6	100	44	10/100
CT5204SS	520	4.6	150	44	10/100
CT6804SS	680	4.6	200	44	10/100

STAINLESS STEEL CABLE TIES – HEAVY DUTY

DESCRIPT.	LENGTH (mm)	WIDTH (mm)	MAX BUNDLE DIA (mm)	TENSILE STRENGTH (KG)	PACK QTY
CT2008SS	200	8	50	111	50
CT3608SS	360	8	100	111	50

CABLE TIE MOUNTS - 4 WAY

DESCRIPT.	LENGTH (mm)	WIDTH (mm)	HEIGHT	PACK QTY
TM19194	19	19	4	100
TM28284	28	28	4	100

UTI-TIE INSTALLATION TOOL #101


DESCRIPTION

FEATURES Budget, Light weight
 RANGE Suitable for 2 to 5mm wide Uti-Ties
 SIZE 175mm
 WEIGHT 60g

UTI-TIE INSTALLATION TOOL #TG9


DESCRIPTION

FEATURES Heavy duty steel, manual cut off
 RANGE Suitable for 2.5 to 10mm wide Uti Ties
 SIZE 190mm
 WEIGHT 320g

UTI-TIE INSTALLATION TOOL #69


DESCRIPTION

FEATURES Robust, Tension adjusting dial, auto cut off
 RANGE Suitable for 2 to 4.8mm wide Uti-Ties
 SIZE 165mm
 WEIGHT 210g

STAINLESS STEEL CABLE TIE TENSIONER #116


DESCRIPTION

FEATURES Manual cut off
 RANGE Suitable for all stainless steel ties
 SIZE 210mm
 WEIGHT 570g

NYLON HOSE CLIPS



DESCRIPTION

- World acclaimed hose fastening system
- One piece, durable Nylon 66 moulding
- High integrity clamping by double row of interlocking teeth
- Fast easy fitting and release
- High resistance to corrosion and solvent attack
- 200psi clamp force with only 3 teeth engaged

PART NO.	MIN	HOSE DIAMETER MAX	OPTIMUM	BAND WIDTH	REF NO.
HCN7	5.6	6.8	6.5	4.2	A
HCN8	6.5	8.1	7.9	4.5	AA
HCN9	7.9	9.6	9.2	4.4	B
HCN10	9.2	10.8	10.3	4.5	BB
HCN12	10.2	12.3	11.8	5.8	C
HCN13	11.1	13.4	12.9	6.1	CC
HCN14	12.0	14.5	13.8	6.1	D
HCN15	13.1	15.7	15.1	7.2	E
HCN17	15.0	17.8	17.1	7.1	F
HCN19	16.9	19.9	19.1	6.9	G
HCN21	18.1	21.4	20.6	7.1	H
HCN23	20.3	23.7	23.0	6.4	J
HCN25	22.2	25.8	24.9	7.0	K
HCN28	24.5	28.4	27.6	7.1	L
HCN30	26.5	30.4	29.5	7.4	M
HCN32	28.8	33.0	32.2	9.0	N
HCN35	32.0	35.6	34.8	9.1	P
HCN38	34.3	38.7	37.9	8.9	Q

Complete range of Clips to suit hose diameters from 5.6mm to 171mm. Refer to Tyco Sales Department for full listing.

