

# KGH400

# 400A/630A

### Features

- Extremely compact
- One or three-pole units
- On-load switching capability
- Corrosion proof
- Fully insulated
- Suits standard hook-stick
- Individual, hinged terminal covers for maximum safety

### The KRONE KGH400 Switch

The upper housing holds the conductor, terminals and contacts.

The lower housing is hinged for easy opening and closing.

It houses the mounting for size 1-2 fuses, links or short circuiting facilities.

Switches are available in single or triple pole versions.

The triple pole switch is supplied with mounting bracket.

### Cable Termination

The KGH400 is available terminals;

- Pillar type terminals for stripped copper and aluminium compacted cables ranging from 25-185mm<sup>2</sup>.



*Pillar Type Terminal*



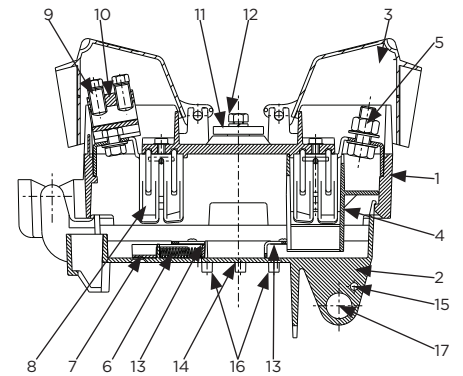
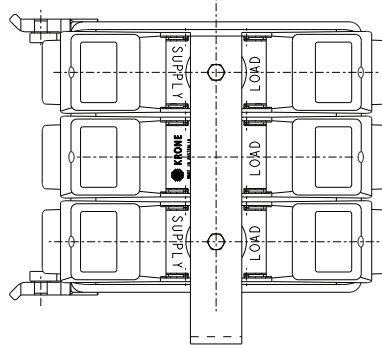
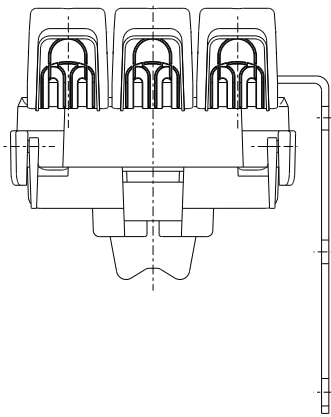
Catalogue Reference	No of Poles	Ganged Switching	Pillar 2x25-185mm <sup>2</sup> Al & Cu cables
KGH400	3	yes	in/out

PROUDLY DISTRIBUTED BY



Web [www.gvk.com.au](http://www.gvk.com.au)  
 Email [sales@gvk.com.au](mailto:sales@gvk.com.au)  
 Phone 03 9312 6633  
 Fax 03 9312 6433

Cross Section KGH400



Technical Data

In accordance with tests and requirements to IEC 947-3 and AS2847-3

	KGH400
Rated operational voltage, Ue	450V
Rated insulation voltage, Ui	1000V
Rated frequency	50-60Hz
Rated impulse withstand voltage, Uimp	16kV
Rated operational current, Ie	
- with fuse links	400A
- with connecting-links	630A
Rated make-break current at 0.65pg	945A
Rated short-time withstand current Icw for one second	
- with connecting links	25kA
Rated short-circuit making capacity Icm	
- with connecting links	10kA
Rated conditional short-circuit current	
- with fuse-links	50kA
Utilisation category	AC 22 B
Infrequent operation with current	200
Infrequent operation without current	1400
Degree of protection	IP2L4
Mass (without fuse)	6.5kg

- 1. Upper housing
- 2. Hinged removable lower housing
- 3. Hinged terminal cover
- 4. Arc chute
- 5. Stainless steel 12mm bolted lug type terminal (option)
- 6. Fuse-link retaining clip
- 7. Yellow indicator fuse-link/ connecting-link installed
- 8. Nickel plated copper alloy contact
- 11. Switch mounting bracket
- 12. Switch mounting screw
- 13. Voltage test points
- 14. Neon indicator (option)
- 15. Rod actuating pin (optional)
- 16. Connecting-link storage position (option)
- 17. Hook stick position for opening/ closing
- 18. Hook stick position for removal/ replacement of cover

PROUDLY DISTRIBUTED BY



Web [www.gvk.com.au](http://www.gvk.com.au)  
 Email [sales@gvk.com.au](mailto:sales@gvk.com.au)  
 Phone 03 9312 6633  
 Fax 03 9312 6433